

Figure 7-6: Outline drawing of cast iron design, feet version, mounting B3; frame size 160 – 180

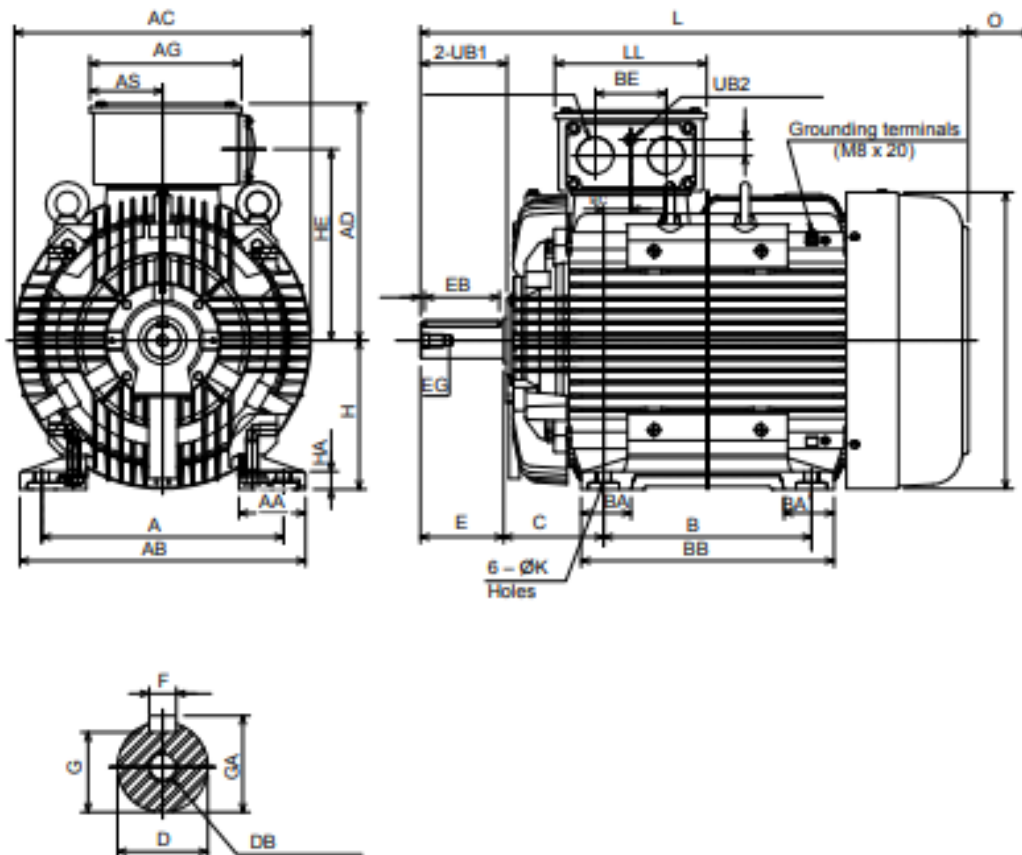


Figure 7-7: Outline drawing of cast iron design, feet version, mounting B3; frame size 200 – 250 (sample)

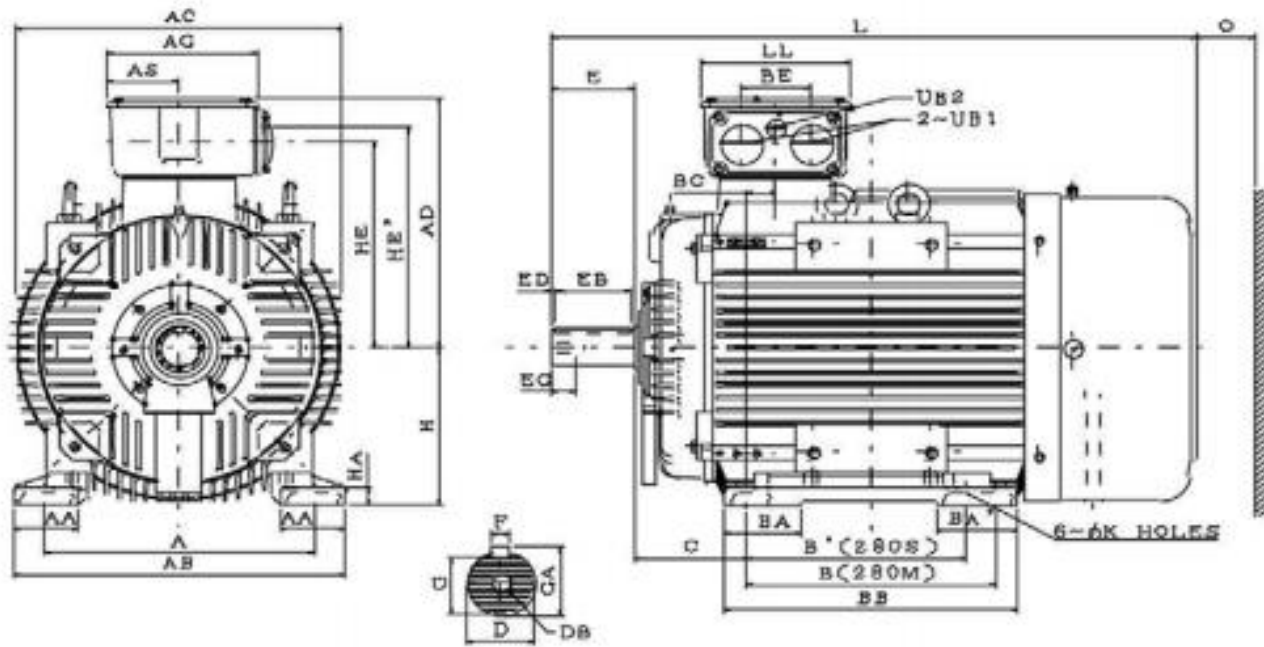


Figure 7-8: Outline drawing of cast iron design, feet version, mounting B3; frame size 280

Frame size		Outline drawing of cast iron design, feet version, mounting B3; frame size 160 – 280, dimensions in [mm]																		
		A	AA	AB	AC	AD	AG	AS	B	B'	BA	BA'	BB	BE	BC	C	H	HA	HE	HE'
160	S																			
	M	254	71	300	317	271	193	91,5	210	—	46	46	256	77	38	108	160	18	215	—
	L	254	71	300	317	271	193	91,5	254	210	46	90	300	77	38	108	160	18	215	—
180	S																			
	M	279	72	330	354	297	193	91,5	241	—	57	57	292	77	34	121	180	20	241	—
	L	279	72	330	354	297	193	91,5	279	241	57	95	330	77	34	121	180	20	241	—
200	S																			
	M																			
	L	318	88	378	398	330	231	110,5	305	—	70	70	365	95	53	133	200	24	262	—
225	S	356	94	416	449	356	231	110,5	286	—	70	70	350	95	30,5	149	225	28	288	—
	M	356	94	416	449	356	231	110,5	311	286	70	95	375	95	30,5	149	225	28	288	—
	M*	356	94	416	449	356	231	110,5	311	286	70	95	375	95	30,5	149	225	28	288	—
	L																			
250	S																			
	M	406	112	480	498	398	255	122,5	349	—	84	84	425	111	45,5	168	250	30	322	—
	M*	406	112	480	498	398	255	122,5	349	—	84	84	425	111	45,5	168	250	30	322	—
	L																			
280	S	457	110	560	550	446	255	122,5	—	368	130	130	445	119	48	190	280	32	367	394
	S*	457	110	560	550	446	255	122,5	—	368	130	130	445	119	48	190	280	32	367	394
	S**	457	110	560	550	446	255	122,5	—	368	130	130	445	119	48	190	280	32	367	394
280	M	457	110	560	550	446	255	122,5	419	—	130	137	495	119	48	190	280	32	367	394
	M*	457	110	560	550	446	255	122,5	419	—	130	137	495	119	48	190	280	32	367	394
	M**	457	110	560	550	446	255	122,5	419	—	130	137	495	119	48	190	280	32	367	394

*) = 4-, 6- and 8-pole version
 **) = 4-, 6-, 8-pole version

Frame size		Overall dimensions						Shaft extension									Bearings				
		K	L	LL	O	UB1	UB2	D	E	EB	ED	EG	F	G	GA	DB	at DE	at NDE	Fig.		
160	S																				
	M	14,5	608	193	60	M40 x 1,5	M20 x 1,5	42 k6	110	100	5,0	32	12	37,0	45,0	M16	6309ZZC3	6307ZZC3	7-6		
	L	14,5	652	193	60	M40 x 1,5	M20 x 1,5	42 k6	110	100	5,0	32	12	37,0	45,0	M16	6309ZZC3	6307ZZC3	7-6		
180	S																				
	M	14,5	672	193	70	M40 x 1,5	M20 x 1,5	48 k6	110	100	5,0	32	14	42,5	51,5	M16	6311C3	6310C3	7-6		
	L	14,5	710	193	70	M40 x 1,5	M20 x 1,5	48 k6	110	100	5,0	32	14	42,5	51,5	M16	6311C3	6310C3	7-6		
200	S																				
	M																				
225	L	18,5	770	231	80	M50 x 1,5	M20 x 1,5	55m6	110	100	5,0	40	16	49,0	59,0	M20	6312C3	6212C3	7-7		
	S	18,5	816	231	90			60m6	140	125	7,5	40	18	53,0	64,0	M20	6313C3	6213C3	7-7		
	M	18,5	811	231	90			55m6	110	100	5,0	40	16	49,0	59,0	M20	6312C3	6212C3	7-7		
	M*	18,5	841	231	90			60m6	140	125	7,5	40	18	53,0	64,0	M20	6313C3	6213C3	7-7		
	L																				
250	S																				
	M	24,0	921	255	105	M63 x 1,5	M20 x 1,5	60m6	140	125	7,5	40	18	53,0	64,0	M20	6313C3	6313C3	7-7		
	M*	24,0	921	255	105			65m6	140	125	7,5	40	18	58,0	69,0	M20	6315C3	6313C3	7-7		
	L																				
S	24,0	1037	255	—	M63 x 1,5			M20 x 1,5	65m6	140	125	7,5	42	18	58,0	69,0	M20	6316C3	6314C3	7-8	
S*	24,0	1037	255	—		75m6	140		125	7,5	42	20	67,5	79,5	M20	6318C3	6316C3	7-8			
S**	24,0	1037	255	—		75m6	140		125	7,5	42	20	67,5	79,5	M20	NU318	6316C3	7-8			
M	24,0	1087,5	255	—		65m6	140		125	7,5	42	18	58,0	69,0	M20	6316C3	6314C3	7-8			
280	M*	24,0	1087,5	255	—	M63 x 1,5	M20 x 1,5	75m6	140	125	7,5	42	20	67,5	79,5	M20	6318C3	6316C3	7-8		
	M**	24,0	1087,5	255	—			75m6	140	125	7,5	42	20	67,5	79,5	M20	NU318	6316C3	7-8		
	L																				

*) = 4-, 6- and 8-pole version
 **) = 4-, 6-, 8-pole version